



Datenblatt - Fiche technique - Data sheet

17.99.1101



VALUE Decken-Projektor-Halter, klein

VALUE Support projecteur plafond, petite taille

VALUE Ceiling Projector Mount, small

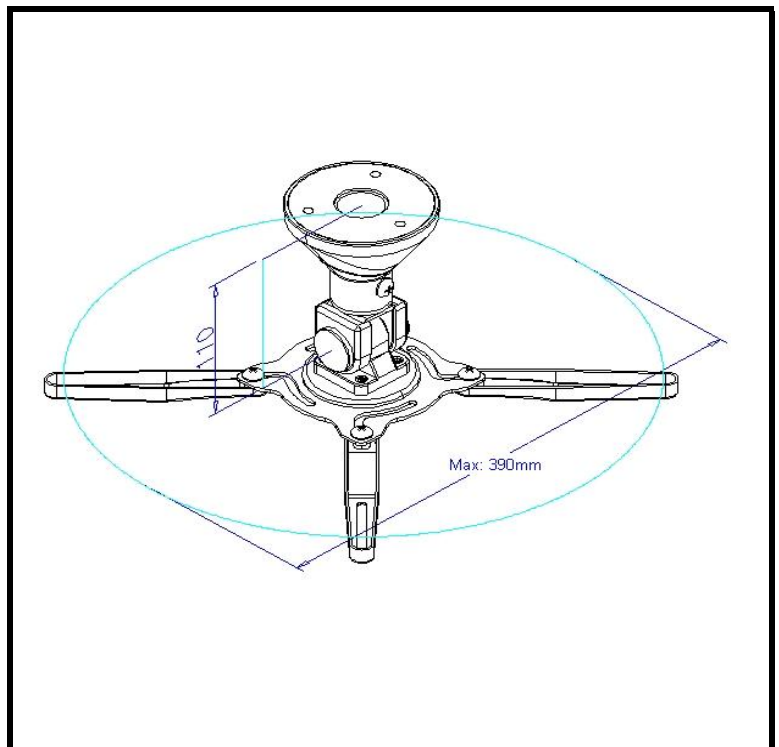
Date:	2010/6/30
Weight Capacity:	Max 22.5 lbs/10kgs
Monitor Mounting Holes	
Application using	Ceiling Projector Mount

Model No.	17.99.1101
Product Name:	Ceiling Projector Mount

Packaging Type: (blister pack, chipboard box, cardboard box etc.)				
Level 1:	WHITE BOX			
Level 2:				
Level 3:	BROWN BOX			
or Pack	Packs Per	per Master	Master	Cartons Per
1pc			12	

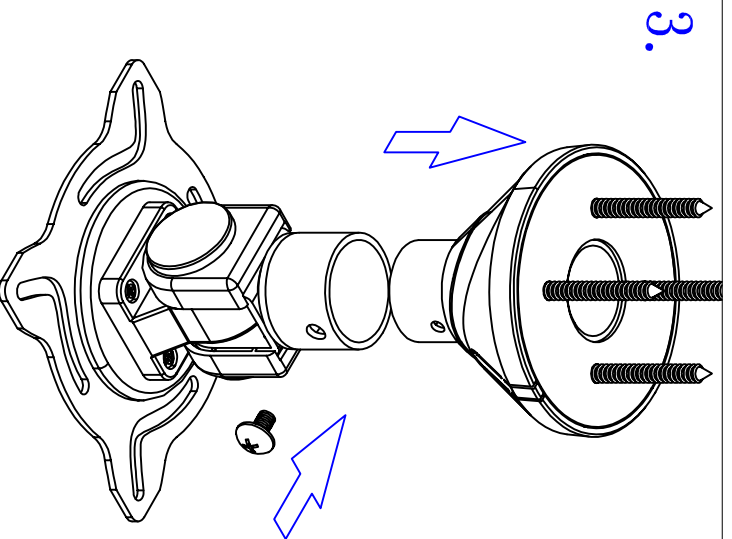
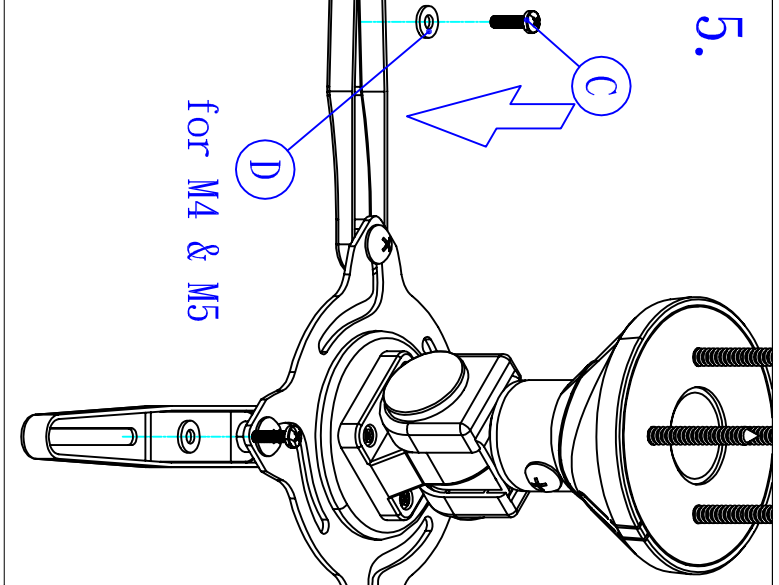
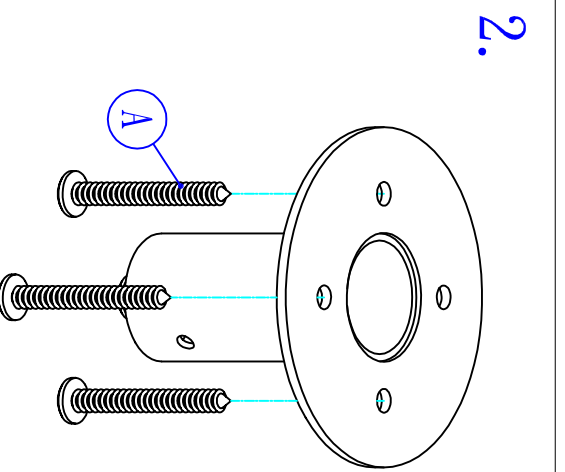
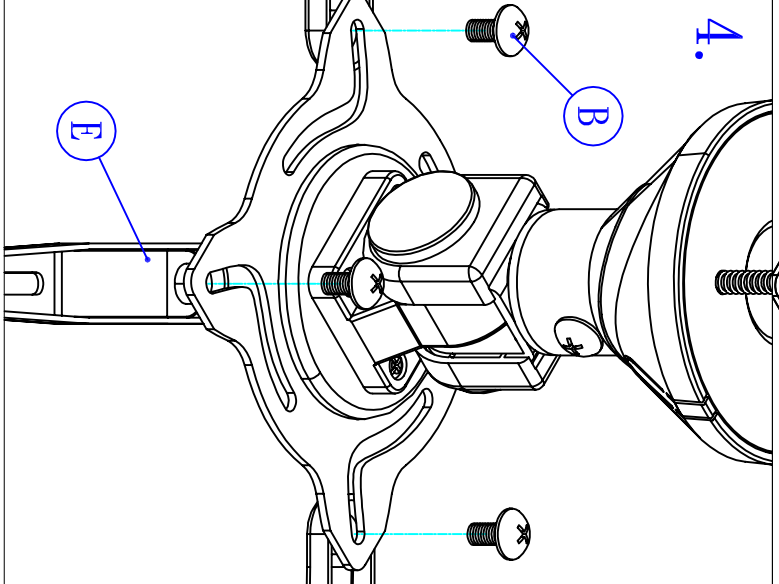
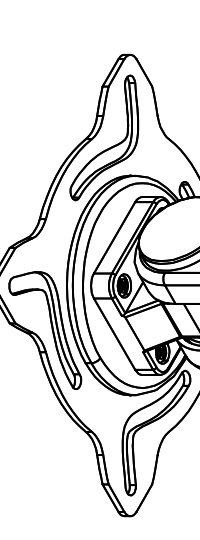
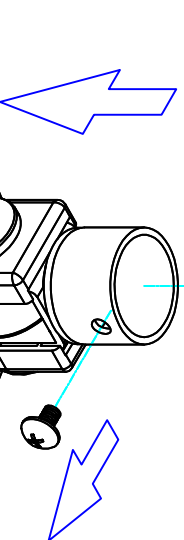
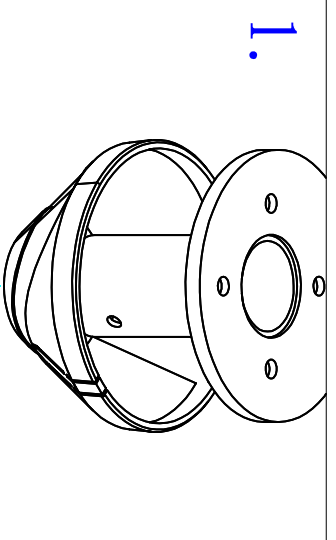
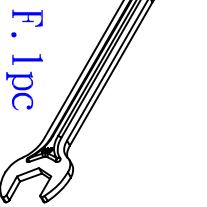
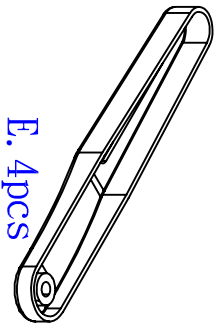


Packaging Dimensions			
Metric In Centimeters/Cubic Meters/Kilograms			
	Height	Width	Length
Product Dimensions:			
Unit box Dimensions:	14.5	15.5	18.3
Inner Carton Dimensions:			
Master Carton Dimensions:	29.5	36.9	46.8
Master Carton Cubic Meters:	0.050		
Master Carton Weight Kgs:	14.900		

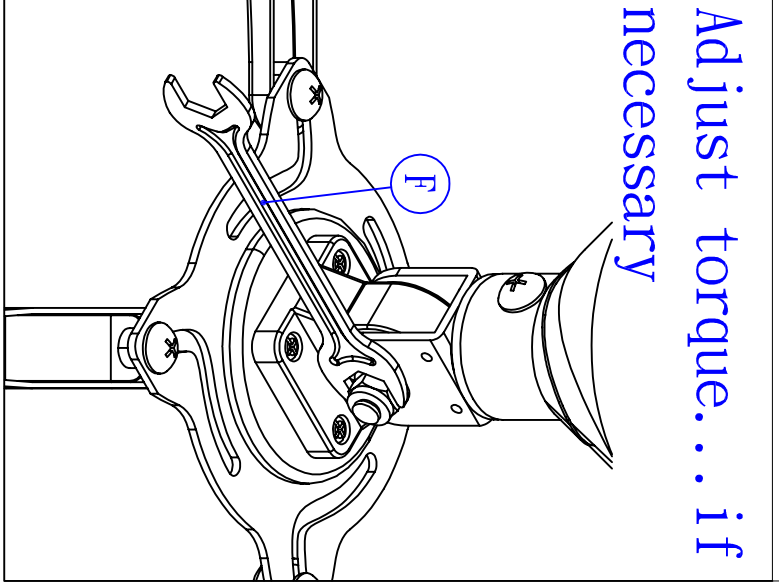


Packaging Dimensions In Inches/Cubic Feet/Pounds			
(will automatically convert to inches if sizes are entered in metric section at left)			
	Height	Width	Length
Product Dimensions:	0.0	0.0	0.0
Unit Box Dimensions:	5.8	6.1	11.4
Inner Carton Dimensions:	0.0	0.0	0.0
Master Carton Dimensions:	11.6	14.5	18.4
Master Carton Cubic Feet:	1.80		
Master Carton Weight lbs:	32.78		

Product Description	
*Universal spider mount style fits most projectors.	
*With tilt and swivel function.	
*Max size:390mm in diameter.	
*Weight Capacity: 22.5 lbs/10kgs.	



Adjust torque... if necessary



Enable 3D View