



Datenblatt - Fiche technique - Data sheet

17.03.1102



ROLINE VESA-Adapter 75x75 auf 100x100/100x200

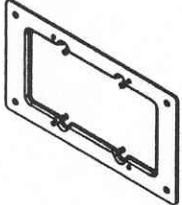


ROLINE Adaptateur VESA 75x75 sur 100x100/100x200

ROLINE VESA Adapter 75x75 to 100x100/100x200, black

Assembly Guide

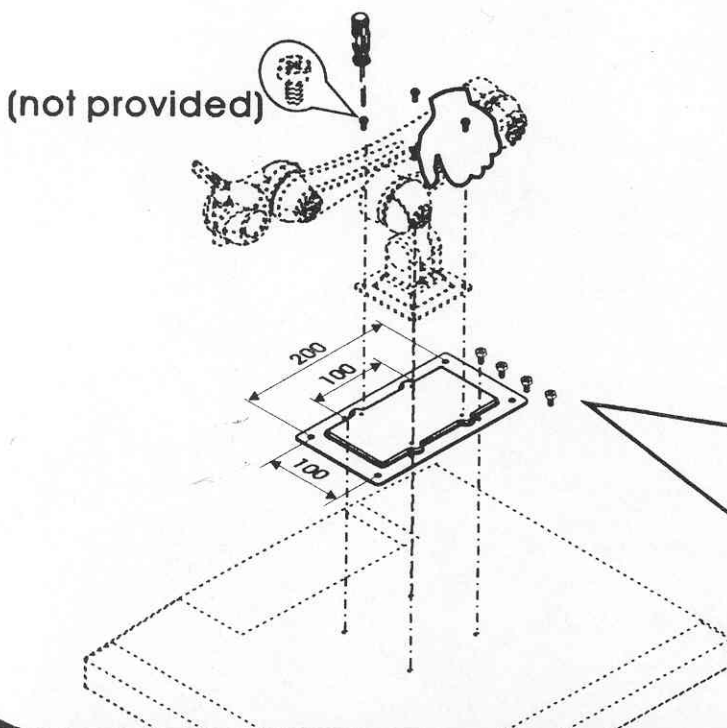
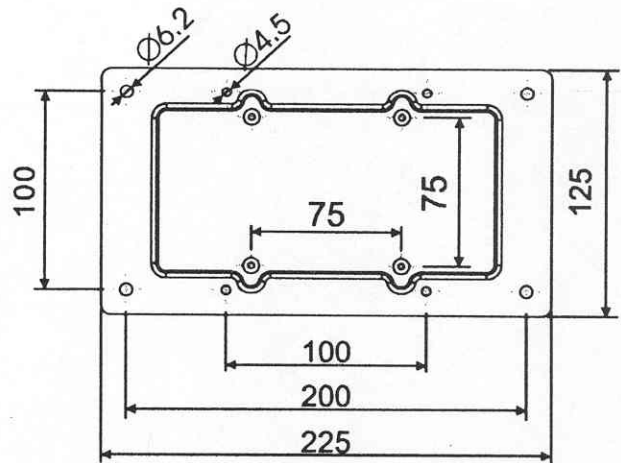
To mount your flat panel monitor or any parts at an ergonomically correct position, start at step 1 and continue as directed.

Check-List

01		X1	02	Screw (M4x10L)		X4
			03	Screw (M6x10L)		X4

●Place LCD with the glass screen facing downward on flat surface. Place VESA on the LCD back as figure and align to the screwholes. Secure them together with four screws. And then tighten them up with screwdriver(not provided).

●The loading capacity of the arm decreases 1kg due to use of OP-024.



**100mmx100mm
VESA interface.**

Screw
(M4x10L)



Or

**100mmx200mm
VESA interface.**

Screw
(M6x10L)



OP-024

20080808