



Datenblatt - Fiche technique - Data sheet

17.03.0103



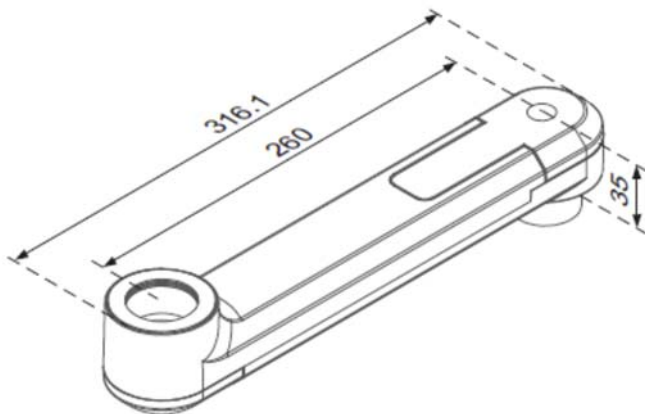
**ROLINE Modulares Arbeitsplatz-System,
Verlängerungsarm, 1 Gelenk,**

**ROLINE Modular System Extension Arm,
1J. ROLINE Bras LCD pivotant, 3 pivots, montage mural,**

ROLINE Modular System Extension Arm, 1Joint,

Item no.: 17.03.0103

ROLINE Modular System, Extension Arm, 1x joint, white



unit:mm

Features:

- Assembly part for display mount which are used for various applications in the Industrial, Office, Education, Hospital, and other fields
- One joint, max. loading up to 22 kgs
- Material: aluminium
- Colour: white

ROLINE Modular System

These series provides flexible solutions to meet your own various applications

- Warehouse & Inventory control / Assembly Line / Test Lab
- Financial / Trading / Conference Room / Reception
- Library / Cafeteria / Laboratory
- Retail / Wholesale / Public Spaces

- The combination of the different elements of this series allows you the ultimate functionality, flexibility and performance
- **2 ranges can be built: Track Mount Type / Wall Mount Type**
- The spreadsheet below shows you many possible combinations of the elements

- Built for normal duty and heavy duty computer workstation use
- Safe and ergonomic

Track Mount Type

- Slide the monitor arm into place on track easily
- Ideal solution perfect for use in different environments
- Gas-spring assisted arm offers easy height adjustment and ergonomic comfort
- Accommodate users of sitting and standing work postures to create a healthy workplace
- Organized cable management
- The minimum need to realise this is the use of the correspondent elements (ROLINE Modular System Wall Track – 17.03.0102 / ROLINE Modular System TrackMount Bracket – 17.03.0101) in combination with extension arms (with or without gas spring), display bracket, display/keyboard holder...

Wall Mount Type

- Designed for use in space-constrained environment settings
- Superior design to provide easy adjustment
- The arms fold back to the wall into a compact retracted position for space saving
- Multiple configurations maximize productivity and flexibility
- Integrated cable management offers easier cleaning and a neat look
- The minimum need to realise this is the use of the correspondent element (ROLINE Modular System WallMount – 17.03.0100) in combination with extension arms (with or without gas spring), display bracket, display/keyboard holder...

Additional Accessories

- The elements mentioned below can be used as accessories for a better space organisation if you are using components like CPU / power adapter (power supply for monitor or CPU) / mouse
- ROLINE Modular System Power Adapter Holder - 17.03.0109
- ROLINE Modular System Mouse Holder - 17.03.0111
- ROLINE Modular System CPU Holder - 17.03.0112



	Order-No. – Packing Unit
ROLINE Modular System WallMount	17.03.0100 – 1
ROLINE Modular System TrackMount Bracket	17.03.0101 – 1
ROLINE Modular System Wall Track	17.03.0102 – 1
ROLINE Modular System Extension Arm, 1 Joint	17.03.0103 – 1
ROLINE Modular System Extension Arm, 2 Joints	17.03.0104 – 1
ROLINE Modular System Highgas Arm, 1 Joint	17.03.0105 – 1
ROLINE Modular System Highgas Arm, 2 Joints	17.03.0106 – 1
ROLINE Modular System Display Bracket	17.03.0110 – 1
ROLINE Modular System Display/Keyboard Holder	17.03.0107 – 1
ROLINE Modular System Keyboard Tray	17.03.0108 – 1
ROLINE Modular System Power Adapter Holder	17.03.0109 – 1
ROLINE Modular System Mouse Holder	17.03.0111 – 1
ROLINE Modular System CPU Holder	17.03.0112 – 1

Possible combination	Wall Mount 17.03.0100	Track Mount 17.03.0101	Wall track 17.03.0102	Ext.Arm 1J 17.03.0103	Ext.Arm 2J 17.03.0104	Highgas 1J 17.03.0105	Highgas 2J 17.03.0106	Display 17.03.0110	Display/Keyboard 17.03.0107	Keyboard Holder 17.03.0108	Power Holder 17.03.0109	Mouse 17.03.0111	CPU Holder 17.03.0112	Max. Load (kg)
1	•							•						15
2	•			•				•						15
3	•			•					•		(x)	(x)	(x)	15
4	•			•						•				6
5	•				•			•						15
6	•				•						(x)	(x)	(x)	15
7	•				•					•				6
8	•					•		•						15
9	•					•			•		(x)	(x)	(x)	9
10	•						•	•						15
11	•						•		•		(x)	(x)	(x)	9
12		•	•					•						15
13		•	•	•				•						15
14		•	•	•					•		(x)	(x)	(x)	15
15		•	•	•						•				6
16		•	•		•			•						15
17		•	•		•				•		(x)	(x)	(x)	15
18		•	•		•					•				6
19		•	•			•		•						15
20		•	•			•			•		(x)	(x)	(x)	9
21		•	•				•	•						15
22		•	•				•		•		(x)	(x)	(x)	9

Combination of: 17.03.0101 + 17.03.0102 + 17.03.0103 + 17.03.0105 + 17.03.0108

Combination of: 17.03.0100 + 17.03.0106 + 17.03.0108

Combination of: 17.03.0100 + 17.03.0105 + 17.03.0110

Combination of: 17.03.0101 + 17.03.0102 + 17.03.0106 + 17.03.0110

Combination of: 17.03.0101 + 17.03.0102 + 17.03.0105 + 17.03.0107 + 17.03.0110

