



Datenblatt - Fiche technique - Data sheet

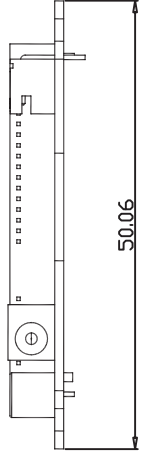
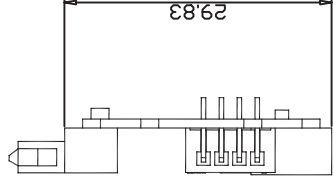
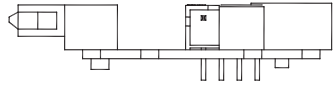
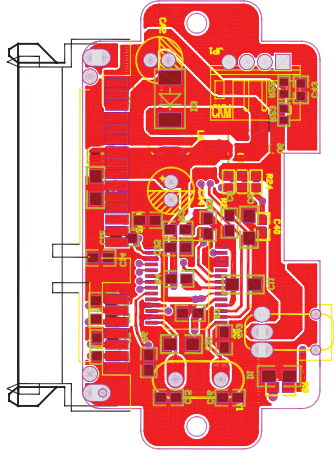
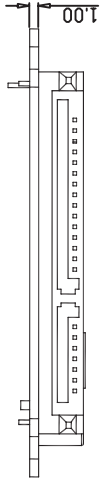
**12.99.1057**



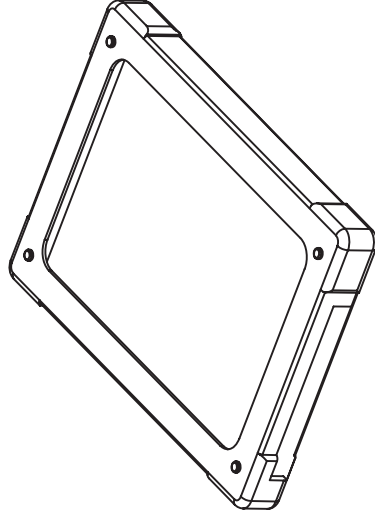
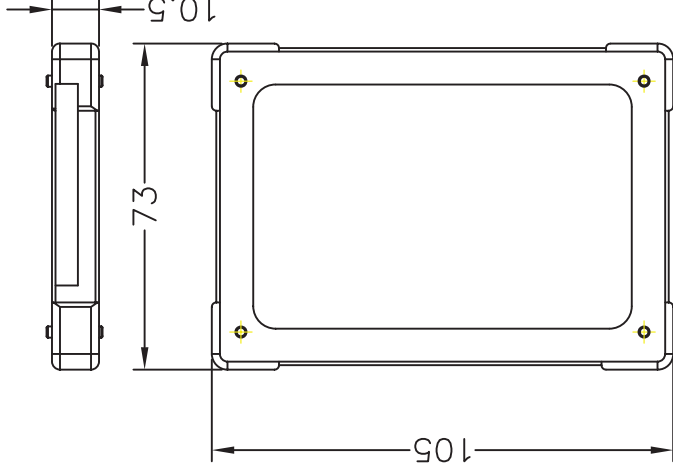
VALUE USB 2.0 zu 2.5 SATA Adapter Set

VALUE Convertisseur Set USB vers SATA 2.5

VALUE USB 2.0 to Type 2.5 SATA Adapter Set

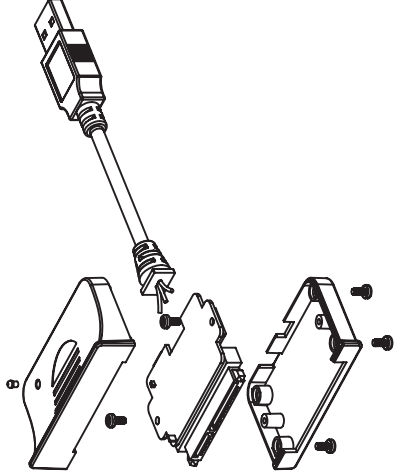
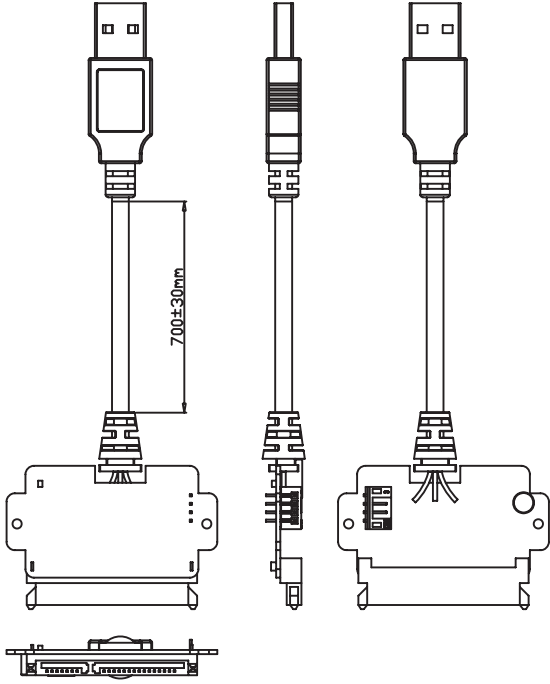


## PCB

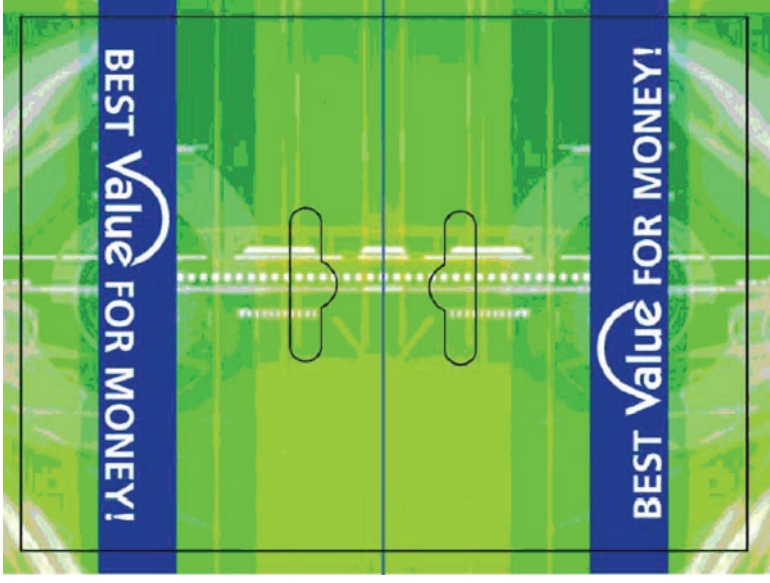


NO	TITLE	SPECIFICATION	DOSE	ADDITIONAL
1	PCB(BLUE)	50*29.8*1.0mm MA6116-2.5&3.5	1	
2	WAFER	FR-2.0 4Pin 90°	1	
3	IC	SMD MA6116	1	
4	Capacitance	SMD Capacitance	17	
5	Resistance	SMDResistance	6	
6	Crystal oscillator	DIP 49US 12MHZ	1	
7	LED(WHITE)	Circular 3φ Blue Light	1	
8	SATA	SMD female 7+15P BLACK 90°	1	
9	Silicone sets	105*73*10.5mm	1	
10				
11				
12				

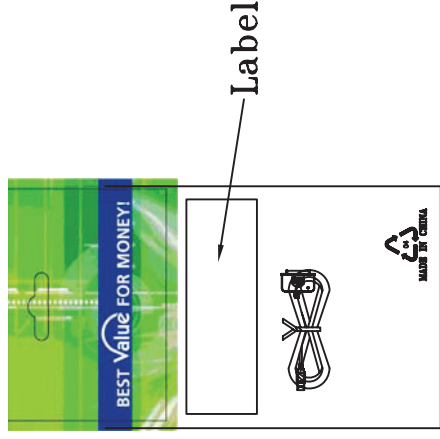
Company	<b>Rotronic</b>	Goods Code	<b>YIHPC080-6</b>	Draw	<b>FC002</b>	Date	<b>12-02-15</b>
ITEM NO.	<b>12.99.1057</b>	Drawing Evidence:		Check		Date	
Goods NO.				Approval		Date	
Original NO.		Unit(mm)					
<b>Rotronic Co., Ltd.</b>							
						VER. A	REVISE
						B	
						C	
						D	Date



Assemble Graph

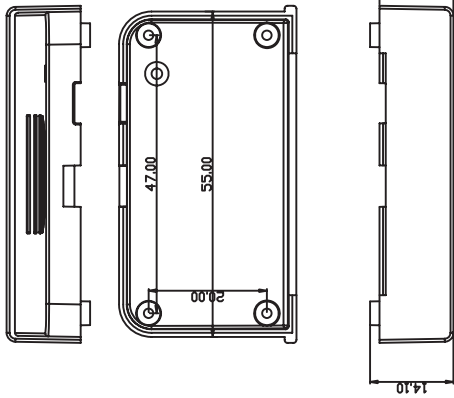


Paper card

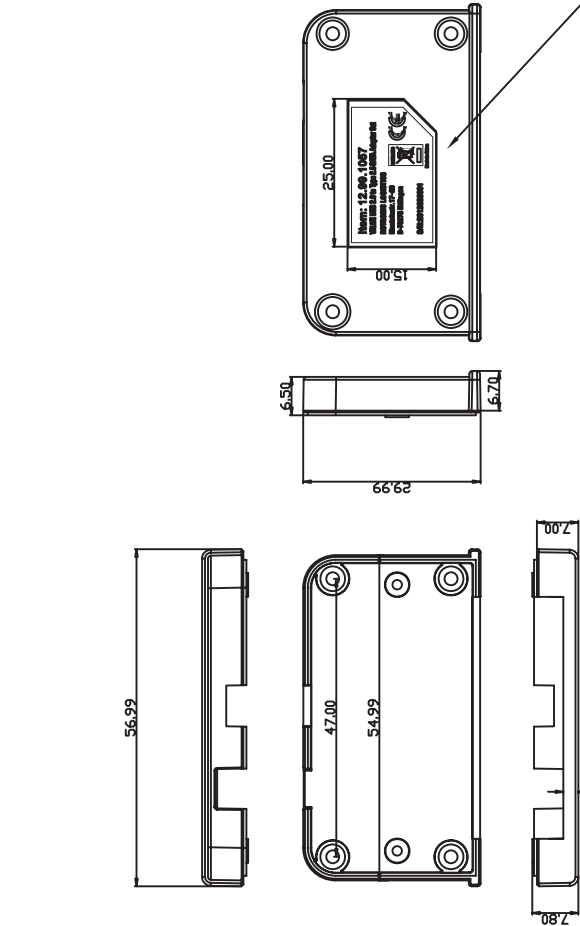
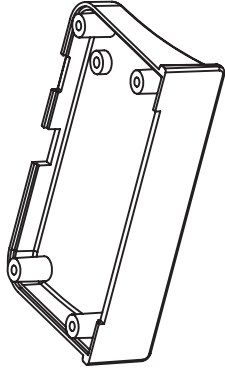


NO	TITLE	SPECIFICATION	DOSE	ADDITIONAL
1	USB 2.0 Cable	28*12*283*2C 0D:4.0*P*AL 700mm Black	1	
2	Screw	PB 2*3.5mm BLACK	6	
3	Paper card	140*104mm	1	
4	Label	80*40mm	1	
5	PE bags	200*104*0.06mm	1PCS/Bag	
6	BOX(K=K)	135*115*130mm	10PCS/BOX	
7	BOX(K=K)	690*245*280mm	20PCS/BOX	
8				
9				
10				
11				
12				

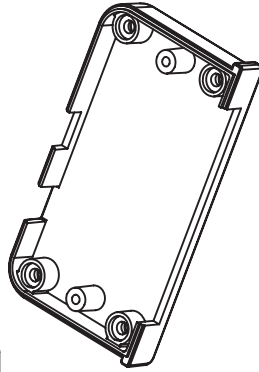
Company	Rotronic	Goods Code	YIHPC080-6	Draw	FC002	Date	12-02-15	
ITEM NO.	12.99.1057	Drawing Evidence:		Check		Date		
Goods NO.		Unit(mm)		Approval		Date		
Original NO.								
<b>Rotronic Co., Ltd.</b>							VER. A	REVISE
							B	
							C	
							D	Date



The upper shell



Under Shell



NO	TITLE	SPECIFICATION	DOSE	ADDITIONAL
1	Shell	57*80mm	BLACK	1
2	Shell	55*30mm	BLACK	1
3	Label(BLACK)	24.5*14.5mm	Silver The word	1
4				
5				

Company	Rotronic	Goods Code	YIHC080-6	Draw	FC002	Date	12-02-15
ITEM NO.	12.99.1057	Drawing Evidence:		Check		Date	
Goods NO.				Approval		Date	
Original NO.		Unit(mm)	⊕				

Rotronic Co., Ltd.		D	
		C	
		B	
		VER. A	REVISE
			Date