



Datenblatt - Fiche technique - Data sheet

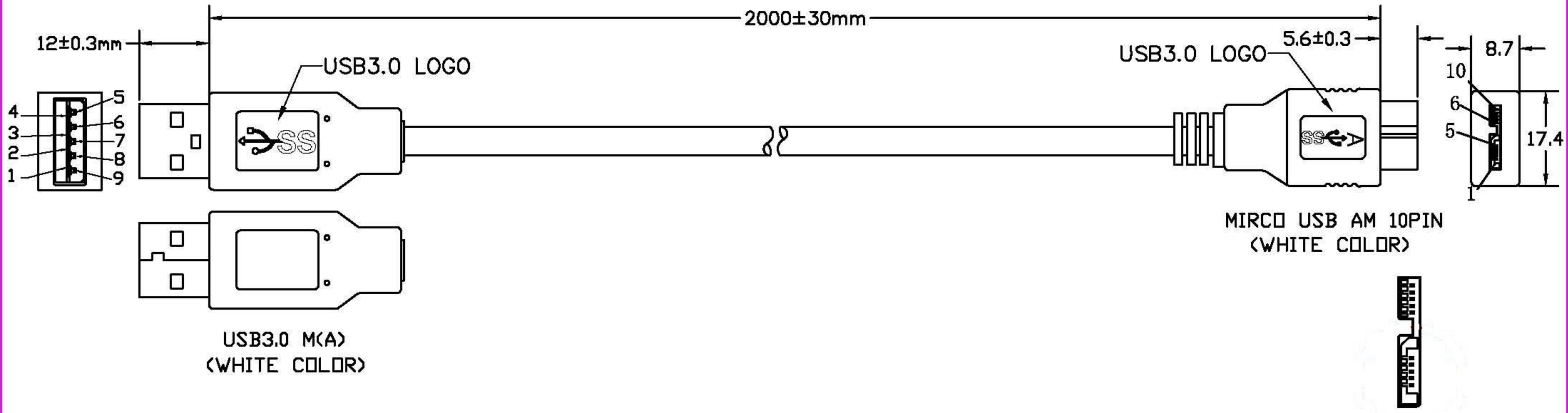
11.99.8874



VALUE USB 3.0 Kabel, A ST - Micro A ST, 2,0m

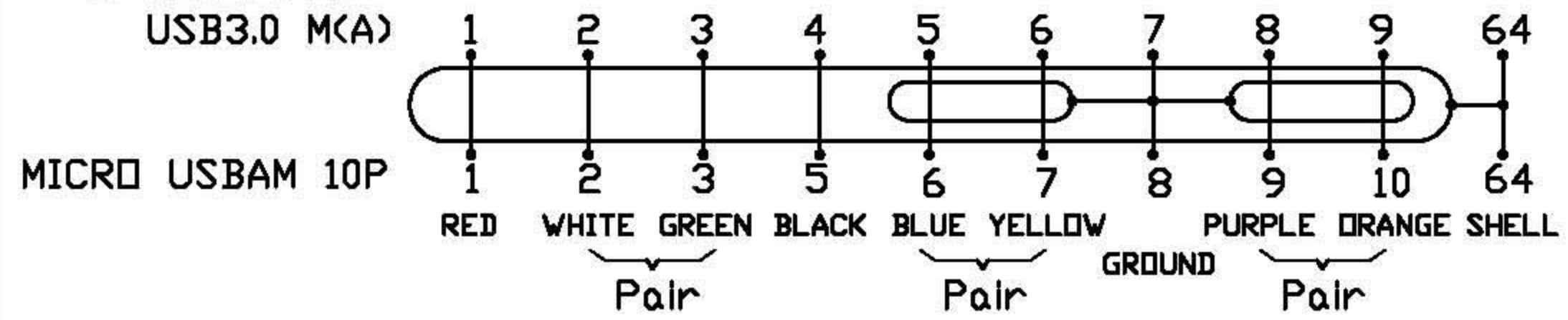
VALUE USB 3.0 Câble, A M - Micro A M, 2.0m

VALUE USB 3.0 Cable, A - Micro A, M/M, 2.0 m



NOTE:

1. CABLE:UL2725,AL+B-FOIL,(28AWG*1P)+[AL+MY-FOIL,(28AWG*1P+D)]*2+24AWG*2C.
WHITE COLOR,OD=5.5mm,PVC JACKET.
2. LENGHT:2M.
3. CONNECTORS:USB3.0 M(A)*1PCS(BLUE INSULATOR) MICRO USBAM 10PIN*1PCS(BLACK INSULATION)(SHELL NICKEL).
4. MOLD:MOLDING USB TYPE.
5. CONTACTS:

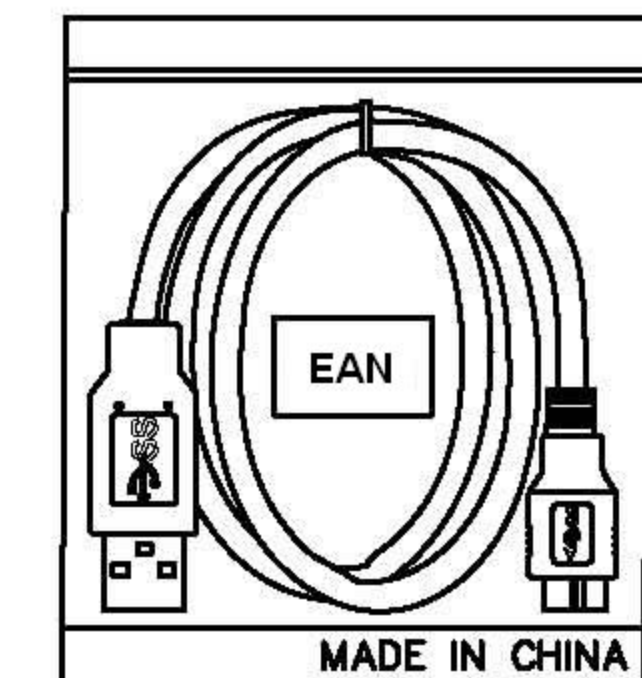


6. OPEN/SHORT TEST: 100% TEST.
A.100% OPEN,SHORT&INTERMITANCE TEST.

B.CONDUCTOR RESISTANCE:3ohms MAX:

C.INSULATION RESISTANCE:5M Min/,10ms:

7. All must be meet on Rohs Compliant.



PE BAG(100*200*0.06)+EAN
10PCS/inner box, 40pcs/outer box

			ITEM NO.	11.99.8874				
REVISION	DATE	DISCRIPTION	DRAWN BY		VALUE USB 3.0 Cable, USB Type A M - Micro USB Type A M, 2m, white	Rotronic Co., Ltd.	SCALE	NON
REV.A/0	2011.05.17		DESIGNED BY				UNIT(mm)	
REV.A/1	2011.09.29	ADD BOM	APPROVAL BY				PAGE	1/1