



Datenblatt - Fiche technique - Data sheet

11.04.5862

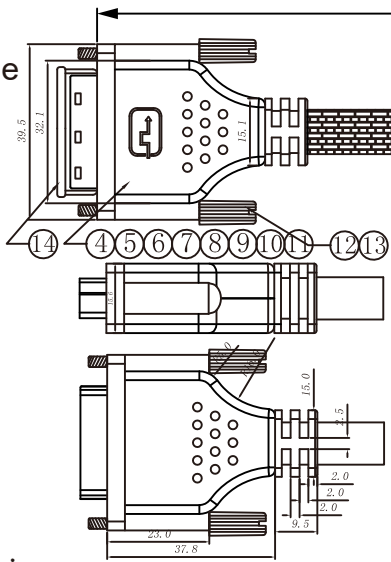
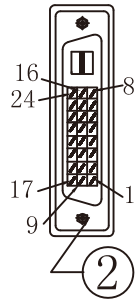


ROLINE Monitorkabel DVI, ST-ST, (24+1) dual link, schwarz / silber, 3,0 m

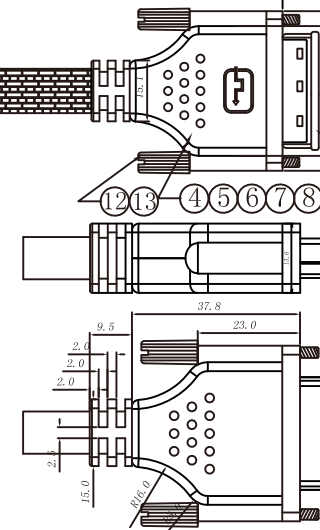
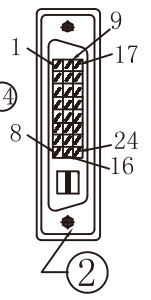
ROLINE Câble pour écran DVI, M-M, (24+1) dual link, noir/argent, 3,0 m

ROLINE Monitor Cable, DVI (24+1), Dual Link, M/M, black /silver, 3.0 m

P1
DVI 24+1 Male



P2
DVI 24+1 Male

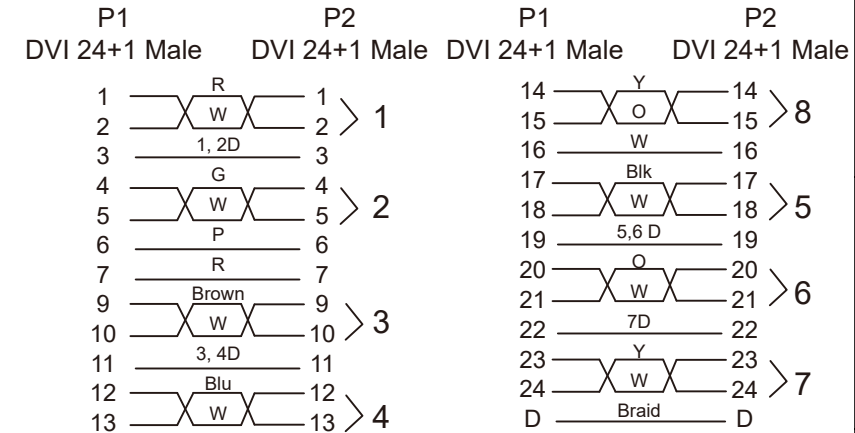


Part No.	Cable L	Braid L
11.04.5860	1000±20 mm	1000±20 mm
11.04.5861	2000±30 mm	2000±30 mm
11.04.5862	3000±30 mm	3000±30 mm
11.04.5863	5000±50 mm	5000±50 mm
11.04.5864	7500±50 mm	7500±50 mm
11.04.5865	10000±50 mm	10000±50 mm

Specification :

- 1 Cable UL20276, (1P*30AWG+D+AL+MYLAR)*7C+IP*30AWG+3C*30AWG+AL+D+B, OD: 8.6 mm, Jacket: Black, Printing: E11 9932-T AWM 20276 80°C 30V VW-1 COPARTNER DVI DIGITAL DUAL LINK RoHS
- 2 Braid Black Cotton RoHS
- 3 Connector DVI(24+1)M, Insulator: Black, Iron Shell: Gold Plated 1u", Pin: Gold Plated 1u", RoHS
- 4 Solder Lead-Free Tin Line, OD: 0.8 mm, 1000G, RoHS
- 5 Tube 1 Black Tube OD: 0.8mm RoHS
- 6 Tube 2 Black Tube OD: 2.5mm RoHS
- 7 Inner Molding LP- PE 950 RoHS
- 8 Tape High Temperature Resistant, 1.8CM RoHS
- 9 Copper Foil 2.2CM RoHS
- 10 Outer Molding PVC: 45P, Black RoHS
- 11 Metal Shell DVI, Dark Gray, Metal Shell, RoHS
- 12 Screw 2.8*44.2, RoHS
- 13 Screw PVC PVC: 25P, Black, RoHS
- 14 Dust Cover DVI M, Dust Cover, RoHS

Pin Assignment



Rev.	Date	Contents of Change	Designer	Tol±	Range	Pla	Met	Ins	Por	Cab	Pac	Gas	Dis	Approve	Check	Draw	Design	Product Name	Product No.
△					0~6	0.1	0.1	0.1	0.2	0.5	1	0.5	0.2	Allen	Allen		Philip	ROLINE SILVER DVI Cable, DVI-D(24+1) Dual Link, M/M	11.04.5860/11.04.5861/11.04.5862/11.04.5863/11.04.5864/11.04.5865
△				6~30	0.1	0.1	.15	.25	1	1	0.5	.25							
△				30~80	0.1	.15	0.2	0.3	2	1.5	1	0.3							
△				80~180	.15	.15	.25	0.3	2	2	1	.45							
△				180~315	.15	0.2	0.3	0.4	2.5	2	1	0.6							
△				315~800	0.2	0.3	0.4	0.5	3	3	2	1.1	Scale	1 : 1	Unit	mm			

