



Datenblatt - Fiche technique - Data sheet

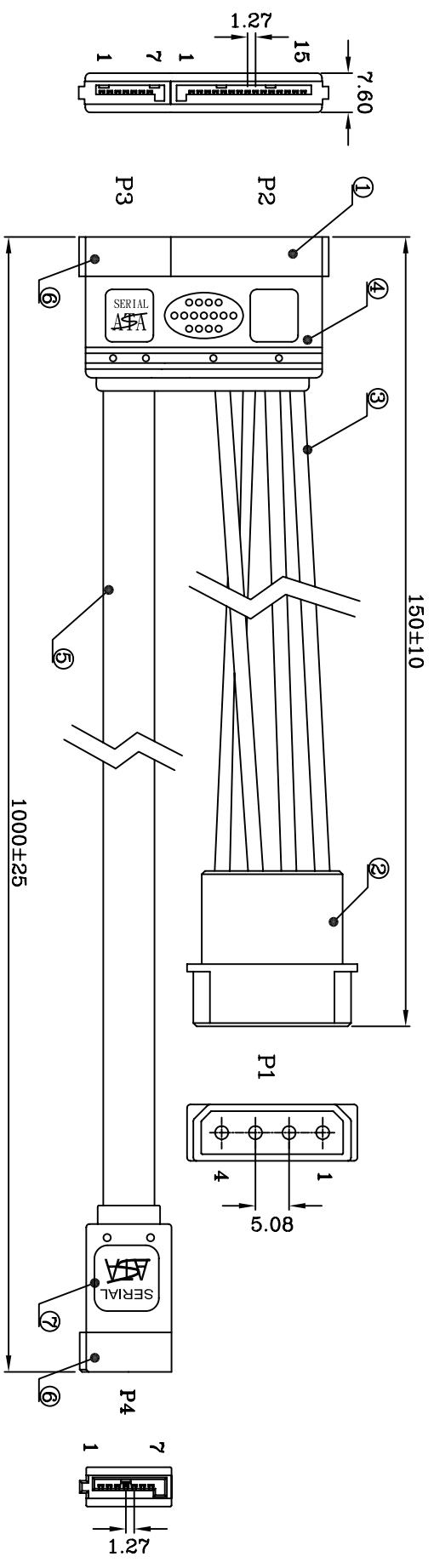
11.03.1250



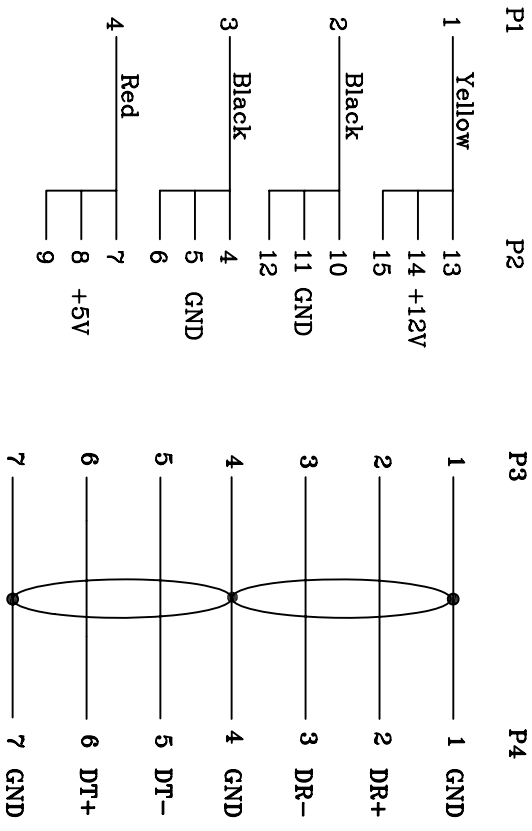
ROLINE SATA 3.0 Gbit/s Daten- und Stromkabel (4pol. HDD), 1 m

ROLINE Câble données et alimentation SATA 3.0 Gbit/s 4 pôles, 1m

ROLINE SATA 3.0 Gbit/s Data and Power Cable (4-pin HDD), 1 m



WIRE CONNECTION:



COMPONENTS	DESCRIPTION	Q'TY
1 SA15F	Insulator : SPS UL94V-0 , Black , Contact : Phosphor Bronze	1
2 Power Plug	4P Male	1
3 Wire	UL1007 18AWG (Color: BLACK X2 , YELLOW X1 , RED X1) L : 140mm	4
4 HOOD	PVC Molded Color: Black	1
5 CABLE (DER AN)	SERIAL ATA CABLE, UL2725, (26AWG*2C+HMAM+2D)*2PCS. FLAT CABLE, Red COLOR, 2.2*7.6, Insulator Material: FM-PE	1
6 SA07F	Insulator:SPS UL94V-0,Black,Contact:Phosphor Bronze GOLD PLATED 15u"	2
7 HOOD	PVC Molded Color: Black	1

NO.	DATE	MODIFICATION
4	2003.08.22	長度尺寸增加
3	2003.06.17	長度公差修改
2	2003.06.11	外觀修改加厚1.6mm
1	2003.04.04	外觀修改

(RoHS Compliant)
 ° 100% OPEN / SHORT / INSULATING TEST
 ° INSULATION TEST: 2MΩ

Rotronic Co., Ltd

WT P/N: 11.03.1250

CUSTOMER P/N: DESCRIPTION:

Serial ATA Cable

APPROVED BY: <i>Pelen</i>	DATE: 22.02.2003
CHECKED BY: <i>Chen</i>	DATE: 22.02.2003
SALES: 陳政豐	DATE: 22.02.2003
NAME:	
SCALE: X:1	UNTT: mm
DRAWN BY: 高麗麗	DRAWING NO: 9028-1001-161X10
	VERSION: E