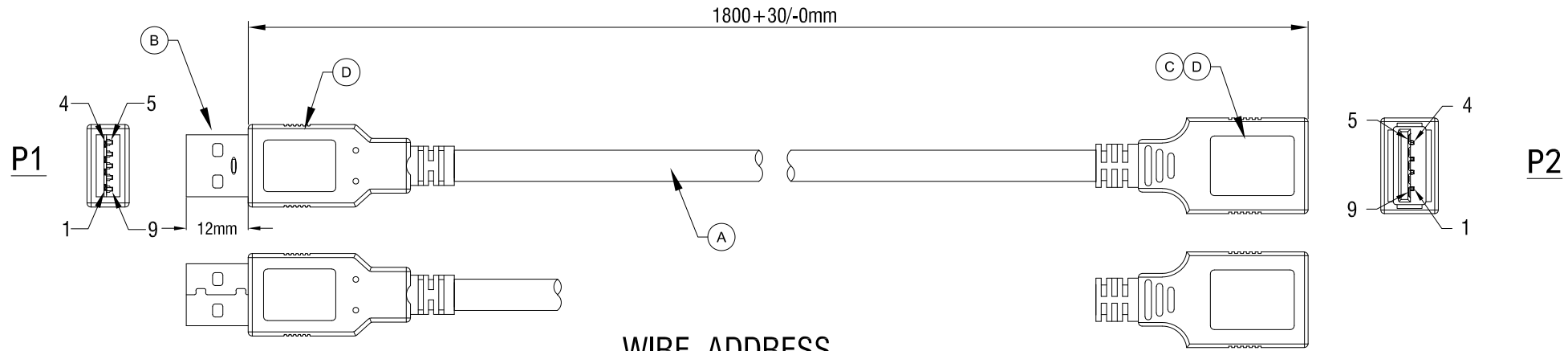
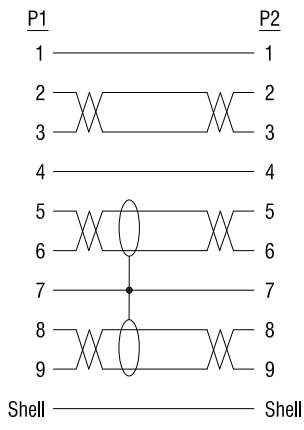


RoHS Compliant



WIRE ADDRESS



Electrical Test:
 1.100% TEST OPEN SHORT MIS-WIRE.
 2.CONTACT RESISTANCE:3Ω MAX.
 3.INSULATION RESISTANCE:5MΩ MIN.
 4.HI-POT:300V DC/10MS.

D	45P PVC BLACK		G	ROLINE USB 3.2 Gen 1 Cable, A - A, M/F, black, 1.8 m		
C	USB 3.0 A AFEMALE(Blue Insulator, Shell Nickel Plated,Pin Gold Plated 30U")	1	PCS	Item	11.02.8978	
B	USB 3.0 A MALE(Blue Insulator, Shell Nickel Plated,Pin Gold Plated 30U")	1	PCS	Draw	Sam Date: 2014.12.05	
A	UL2725 OR UL20276 (28AWG*1P+EAM)*2C+28AWG*1P+24AWG*2C+AEB, OD=5.5mm,BLACK PVC JACKET.(BC Wire)	1	PCS	Approval		
NUMBER	PRODUCT SPECIFICATIONS	Quantity	Unit	Duty	F16 BOM.NO: 10443	
				Sample NO.	Drawings of 1 (2) Proportion: 1:1 Unit(mm)	A4