



Datenblatt - Fiche technique - Data sheet

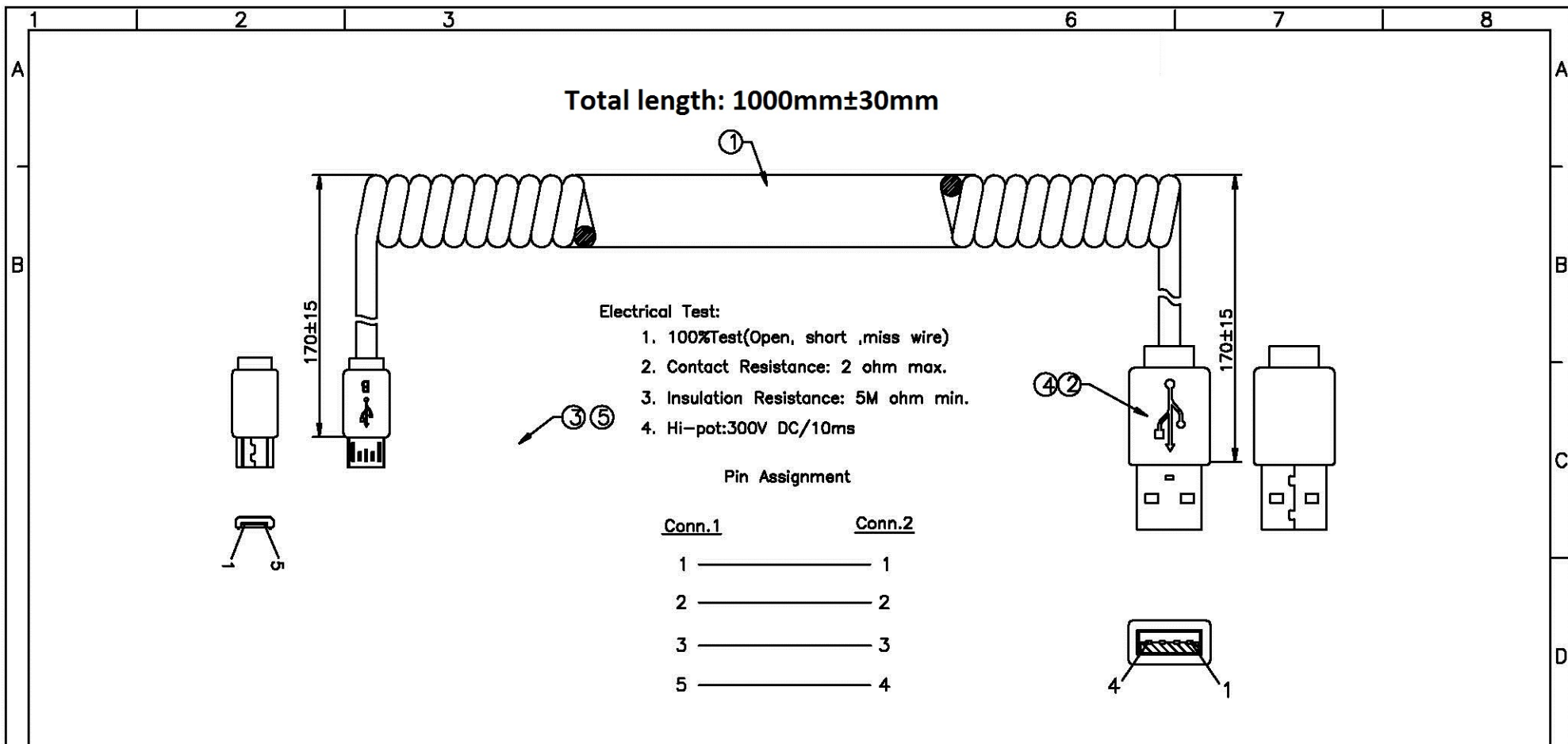
11.02.8317



ROLINE USB 2.0 Spiralkabel, A - Micro B, ST/ST, 1,0 m

ROLINE Câble spirale USB 2.0, A - Micro B, M/M, 1,0 m

ROLINE USB 2.0 Spiral Cable, A - Micro B, M/M, 1m



| | | | |
|-----|---|------|------|
| ⑤ | Outside Molding:45P TPE | 1 | set |
| ④ | Inside Molding:PE | 1 | set |
| ③ | Micro USB(B) M Solder Type Shell Nickel Insulation: Black | 1 | pcs |
| ② | USB(A) M Solder Type Shell Nickel Insulation: Black | 1 | pcs |
| ① | USB Cable: 28AWG*2C+26AWG*2C+TPU Jacket OD=3.0±0.15mm | 1 | M |
| NO. | DESCRIPTION | Q'TY | UNIT |

| REV. | DATE | CONTENTS OF CHANGE | DESIGNER | TOL ± | Pla | Met | Ina | Par | Cab | Pac | Gas | DIS | APPROVAL | CHECK | DRAWING | DESIGN | DATE | ROLINE USB 2.0 Coiled Cable A-Micro B, M/M, 1m, black ITEM NO. 11.02.8317 |
|------|------|--------------------|----------|---------|-----|-----|-----|-----|-----|-----|-----|-----|----------|-------|---------|--------|------------|---|
| △ | | | | 0~6 | 0.1 | 0.1 | 0.1 | 0.2 | 0.5 | 1 | 0.5 | 0.2 | | | | | 2014-11-11 | |
| △ | | | | 6~30 | 0.1 | 0.1 | .15 | .25 | 1 | 1 | 0.5 | .25 | | | | | | |
| △ | | | | 30~80 | 0.1 | .15 | 0.2 | 0.3 | 2 | 1.5 | 1 | 0.3 | | | | | | |
| △ | | | | 80~180 | .15 | .15 | .25 | 0.3 | 2 | 2 | 1 | .45 | | | | | | |
| △ | | | | 180~315 | .15 | 0.2 | 0.3 | 0.4 | 2.5 | 2 | 1 | 0.6 | | | | | | |
| △ | | | | 315~800 | 0.2 | 0.3 | 0.4 | 0.5 | 3 | 3 | 2 | 1.1 | | | | | | |
| | | | | | | | | | | | | | SCALE | 1:1 | UNIT | MM | rotronic | |
| | | | | | | | | | | | | | | | | | | |