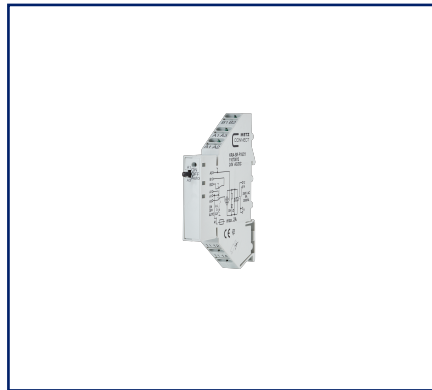


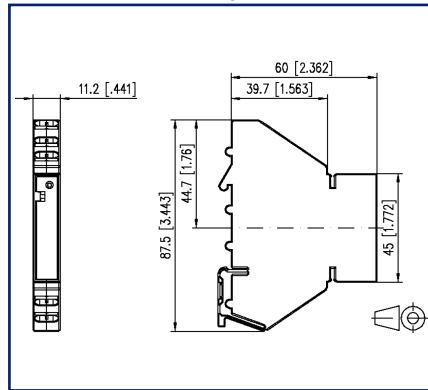
## Data sheet

### KRA-SR-F10/21, 1 changeover contact (SPST), 24 V AC/DC

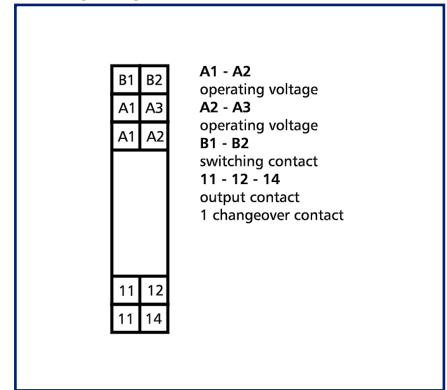
## Illustrations



Dimensional drawing



Wiring diagram



See enlarged drawings at the end of document

## Product specification

Coupling devices are used to secure electrical isolation between logic and load.

- connection with spring-clamp terminal
- additional terminals for jumper
- test contacts for each terminal
- safe separation
- with manual control level and automatic-checkback function

### Technical Data

Supply	
Operating voltage	24 V AC/DC -15% ... +10%
Power consumption (max.)	13 mA
Response time typical	10 ms
Release time typical	5 ms
Manual control level	
Mechanical life	1x10 <sup>3</sup> switching cycles
Switching capacity (max.)	24 V AC/DC / 50 mA
Switching capacity (min.)	3 V AC/DC / 50 µA
Test voltage	100 V, 50 Hz, 1 min
Outputs	
Contacts	1 changeover contact
Contact material	AgSnO <sub>2</sub>
Switching voltage (max.)	250 V AC/DC
Continuous Current	8 A
Switching frequency	300 switching cycles/h
Breaking capacity (resistive load)	
Mechanical life	1x10 <sup>7</sup> switching cycles
Electrical life	1x10 <sup>5</sup> switching cycles
Indicator	green LED
Insulation coil - contact set	
Nominal voltage of the power supply system	230 / 400 V AC
Overvoltage category	III   II
Degree of pollution	2   2
Rated test voltage	4 kV   2.5 kV
Type of insulation	basic insulation   reinforced insulation
Housing	
Dimensions	
Dimension (W x H x D)	11.2 mm x 87.5 mm x 60 mm
Dimension (W x H x D)	0.441 in. x 3.445 in. x 2.362 in.
Weight	43 g
Mounting style	Standard rail TH35
Mounting position	any

### Technical Data

Housing	
Apposition	without distance
Connection type	Spring clamp terminal blocks
Terminal blocks	
Wire cross section solid	0,08 - 2,5 mm <sup>2</sup> / AWG 28-14
Wire cross section multi	0.08 mm <sup>2</sup> - 1.5 mm <sup>2</sup> / AWG 28-16
Wire cross section with wire ferrule	0.08 mm <sup>2</sup> - 2.5 mm <sup>2</sup> / AWG 28-14
Stripping length (min.)	10 mm
Material	
Material - Housing	Polyamid 6.6 V0
Color	gray
Material - Terminal block	Polyamid 6.6 V0
Protection category according to IEC 60529	
Protection category - housing (acc. to IEC 60529)	IP20
Temperature range	
Operating	
Temperature - Operating °C	-20 °C - 55 °C
Temperature - Operating °F	-4 °F - 131 °F
Storage	
Temperature - Storage °C	-25 °C - 70 °C
Temperature - Storage °F	-13 °F - 158 °F
Power loss	
Power loss (typical) coil	900 mW
Power loss (typical) Contact rate	800 mW
Classifications	
ETIM 6.0	EC000310
ETIM 7.0	EC001437
ETIM 8.0	EC001437
ETIM 9.0	EC001437

# C | Logline

Data sheet

Page 4/6

**KRA-SR-F10/21, 1 changeover contact (SPST), 24 V AC/DC**

P/N

**11070813**

**EAN 4250184123118**

2023/06/19

Version: B

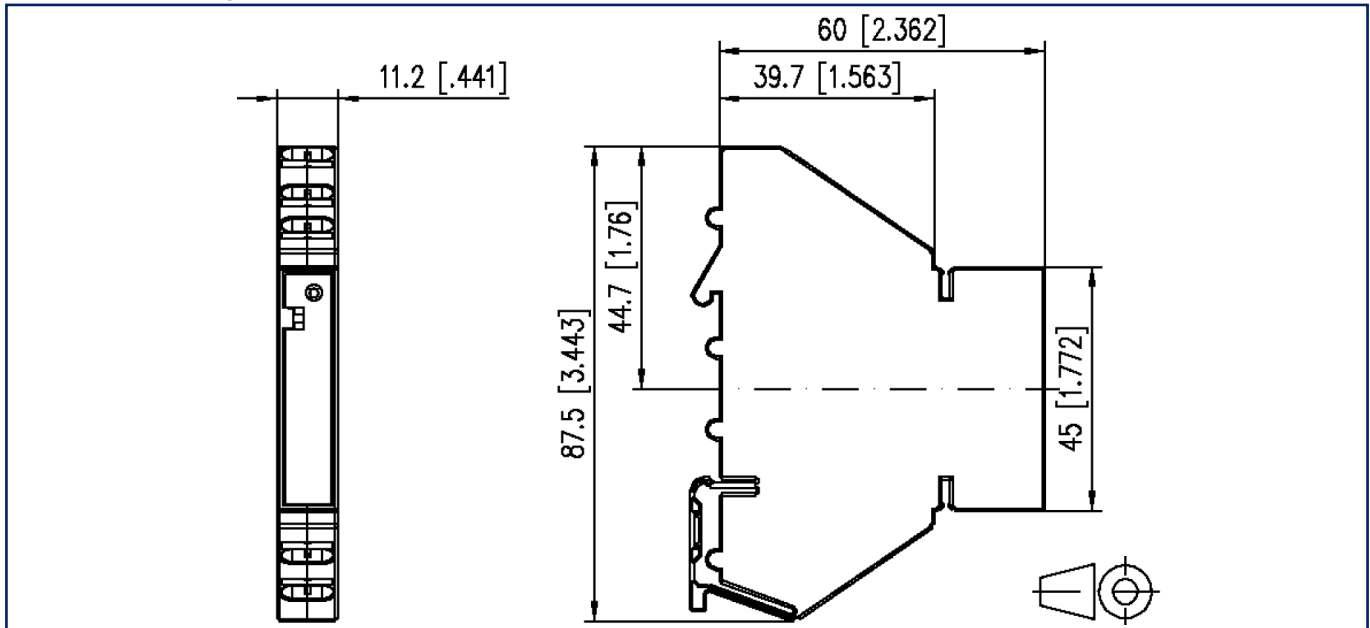
## Accessories

P/N	Designation
110728	Connecting bridge, 10 pole
110729	Labeling plate

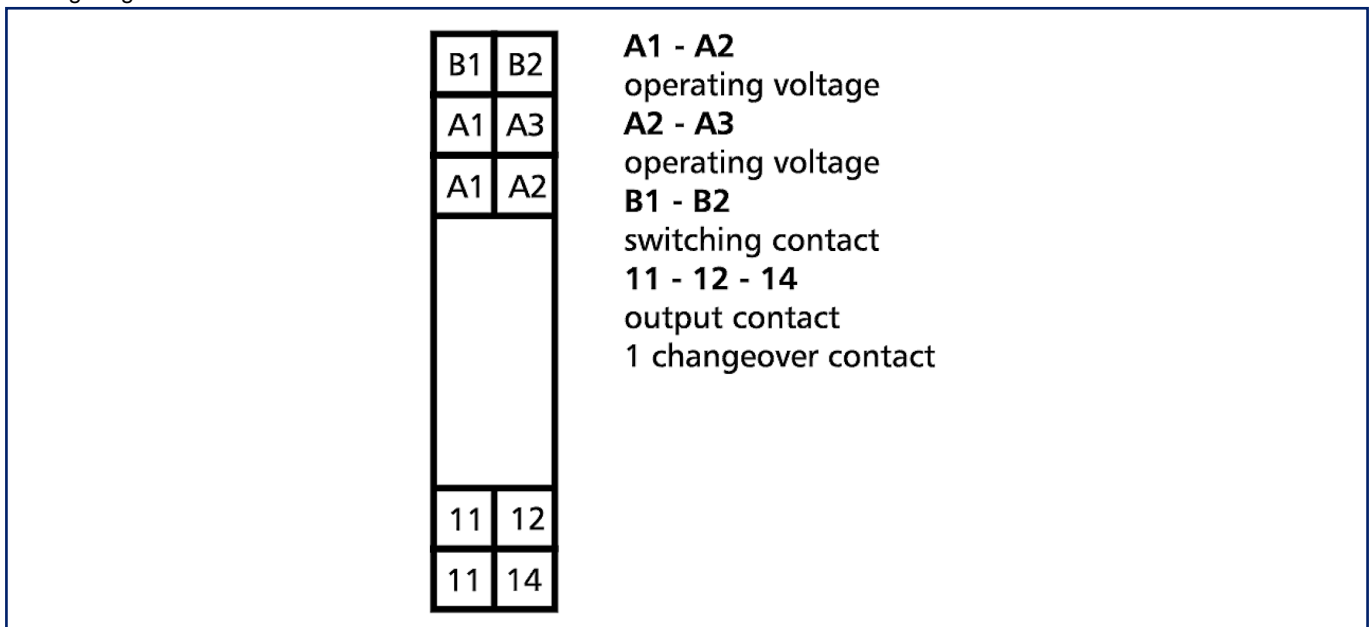


### Illustrations

Dimensional drawing



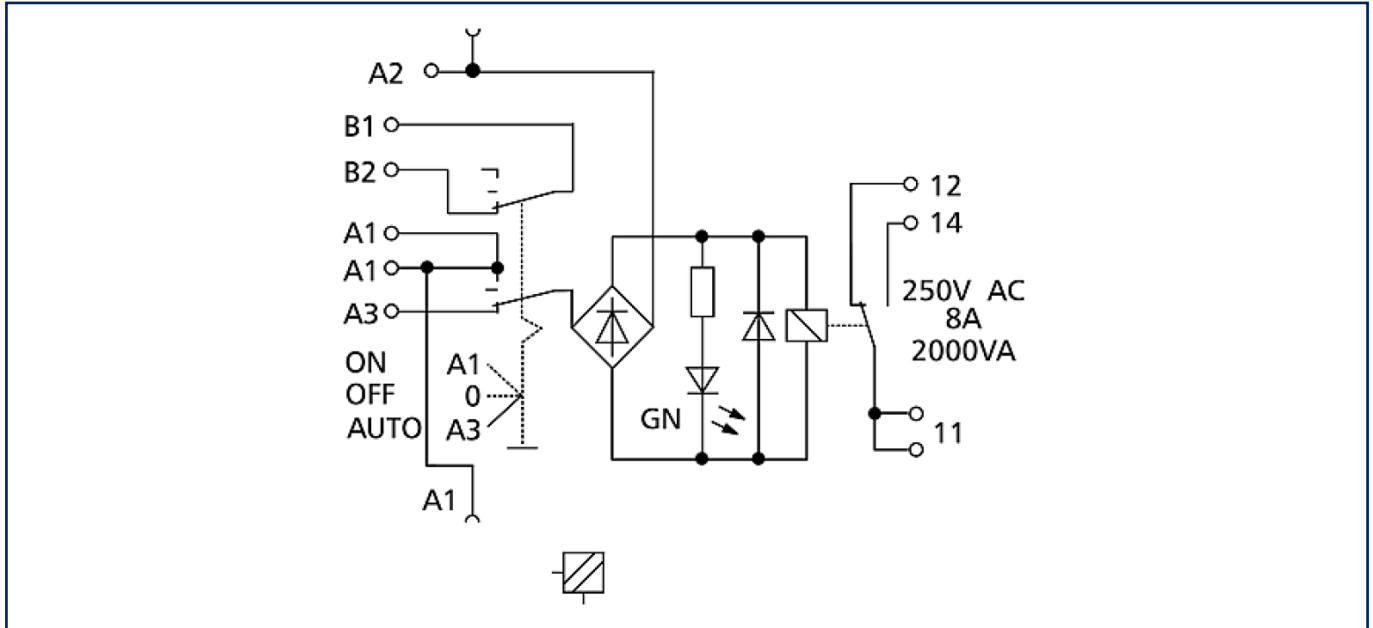
Wiring diagram



© 2023 METZ CONNECT - Technische Änderungen vorbehalten! Subject to modifications! Sous réserve de modifications techniques!

**Illustrations**

Circuit diagram



© 2023 METZ CONNECT - Technische Änderungen vorbehalten! Subject to modifications! Sous réserve de modifications techniques!

